

Installation and Quick Start Guide

Agilent Technologies PNA Series Network Analyzers



Manufacturing Part Number: E8356-90001

Printed in USA

Print Date: November 2003

Supersedes: July 2003

© Copyright 2000–2003 Agilent Technologies, Inc. All rights reserved.



E8356-90001

Notice

The information contained in this document is subject to change without notice.

Agilent Technologies makes no warranty of any kind with regard to this material, including but not limited to, the implied warranties of merchantability and fitness for a particular purpose. Agilent Technologies shall not be liable for errors contained herein or for incidental or consequential damages in connection with the furnishing, performance, or use of this material.

Certification

Agilent Technologies certifies that this product met its published specifications at the time of shipment from the factory. Agilent Technologies further certifies that its calibration measurements are traceable to the United States National Institute of Standards and Technology, to the extent allowed by the Institute's calibration facility, and to the calibration facilities of other International Standards Organization members.

Assistance

Product maintenance agreements and other customer assistance agreements are available for Agilent Technologies products. For any assistance, contact Agilent Technologies. See [page 2-1](#) for contact information.

Safety Notes

Safety information is located in [Chapter 3](#), “[Safety and Regulatory Information](#).”

Documentation Warranty

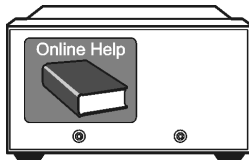
THE MATERIAL CONTAINED IN THIS DOCUMENT IS PROVIDED “AS IS,” AND IS SUBJECT TO BEING CHANGED, WITHOUT NOTICE, IN FUTURE EDITIONS. FURTHER, TO THE MAXIMUM EXTENT PERMITTED BY APPLICABLE LAW, AGILENT DISCLAIMS ALL WARRANTIES, EITHER EXPRESS OR IMPLIED WITH REGARD TO THIS MANUAL AND ANY INFORMATION CONTAINED HEREIN, INCLUDING BUT NOT LIMITED TO THE IMPLIED WARRANTIES OF MERCHANTABILITY AND FITNESS FOR A PARTICULAR PURPOSE. AGILENT SHALL NOT BE LIABLE FOR ERRORS OR FOR INCIDENTAL OR CONSEQUENTIAL DAMAGES IN CONNECTION WITH THE FURNISHING, USE, OR PERFORMANCE OF THIS DOCUMENT OR ANY INFORMATION CONTAINED HEREIN. SHOULD AGILENT AND THE USER HAVE A SEPARATE WRITTEN AGREEMENT WITH WARRANTY TERMS COVERING THE MATERIAL IN THIS DOCUMENT THAT CONFLICT WITH THESE TERMS, THE WARRANTY TERMS IN THE SEPARATE AGREEMENT WILL CONTROL.

Printing Copies of This Document

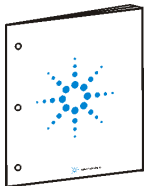
To print copies of this document, download the PDF file from the Agilent Web site:

- Go to <http://www.agilent.com>.
- Enter the document's part number (located on the title page) in the **Quick Search** box.
- Click **GO**.

Documentation Map



The online Help files are embedded in the analyzer, offering quick reference to programming and user documentation. From the Help drop-down menu, you can access the Help system in five different languages. Also, you can view the Analyzer Product Overview multimedia presentation and access the analyzer's Web page.



The *Installation and Quick Start Guide* helps to quickly familiarize yourself with the analyzer. Procedures are provided for installing, configuring, and verifying the operation of the analyzer.



The **CD-ROM** provides the following:

- *Installation and Quick Start Guide*
- *Service Guide*
- Help system in five languages
- Network Analyzer Product Overview multimedia presentation

Contents

1. Installing Your Analyzer

STEP 1. Check the Shipment	1-1
STEP 2. Meet Electrical and Environmental Requirements	1-4
STEP 3. Install the Analyzer on a Bench Top or in an Equipment Rack	1-5
To Install on a Bench Top	1-5
To Install in an Equipment Rack	
(Optional 1CP - Rack Mounting with Handles)	
(Optional 1CM - Rack Mounting without Handles)	1-5
STEP 4. Connect the Accessories	1-6
STEP 5. Install Ferrite Cores	1-7
STEP 6. Start Up the Analyzer	1-8
STEP 7. Perform Administrative Tasks	1-9
STEP 8. Run the Operator's Check	1-10
STEP 9. Turn Off the Analyzer	1-10
To Hibernate the Analyzer	1-10
To Shut Down the Analyzer	1-11

2. Getting Help with Your Analyzer

Contacting Agilent Technologies	2-1
Help System	2-1
PNA on the Internet	2-2
Product Overview	2-2

3. Safety and Regulatory Information

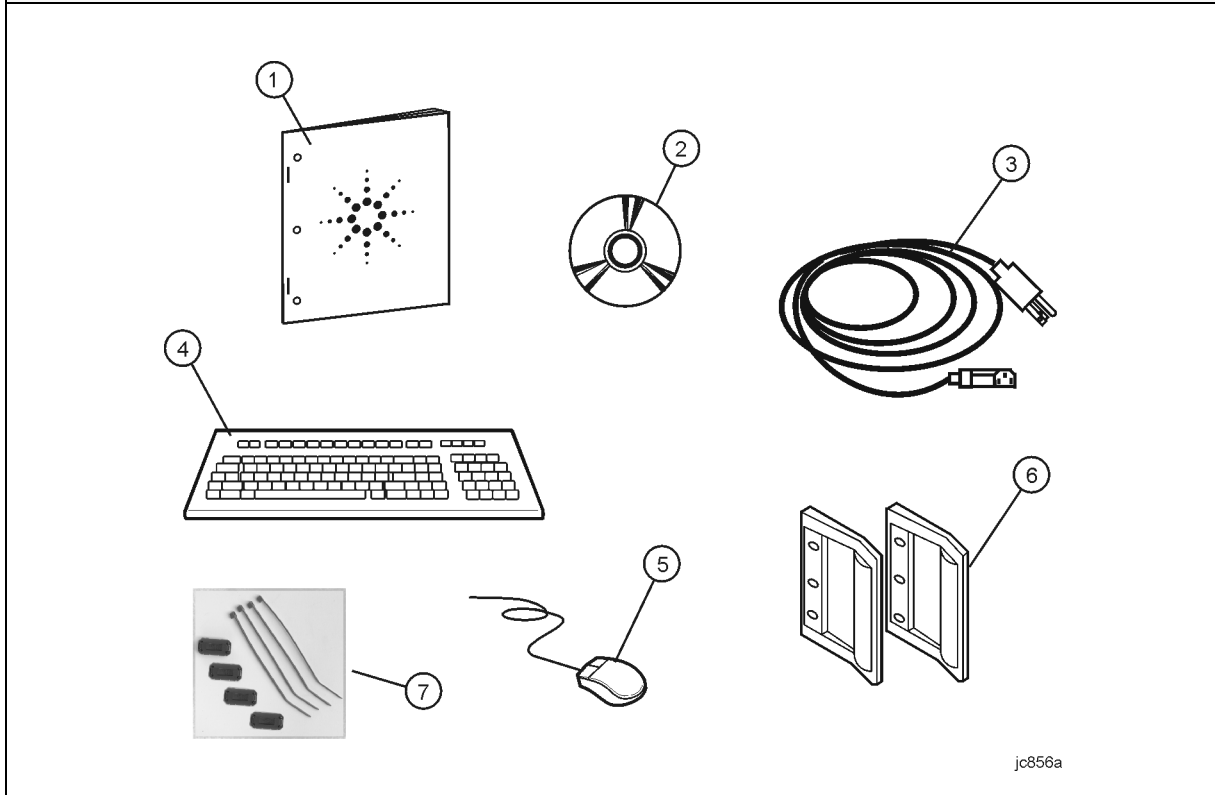
Maintenance	3-1
Shipment for Service	3-1
Safety Symbols	3-1
General Safety Considerations	3-2
Safety Earth Ground	3-2
Before Applying Power	3-2
Servicing	3-3
Regulatory Information	3-3
Instructions for Use	3-3
Instrument Markings	3-5
Declaration of Conformity	3-5
Compliance with German Noise Requirements	3-6
Warranty	3-6

1 Installing Your Analyzer

STEP 1. Check the Shipment

<p>1. Unpack the contents of the shipping container. (Keep the packaging material in case the analyzer needs to be returned to the factory.)</p>
<hr/>
<p>WARNING The network analyzer is heavy. Use proper lifting techniques.</p>
<hr/>
<p>2. Carefully inspect the analyzer to make sure that it was not damaged during shipment.</p>
<hr/>
<p>NOTE If your analyzer was damaged during shipment, contact Agilent Technologies. A list of contacts is provided on page 2-1.</p>
<hr/>

3. Locate the Contents List in the shipping container and verify the completeness of your shipment. Although the Contents List is the most accurate, you can also use the following illustration to verify the items in your shipment. If your shipment is not complete, contact Agilent Technologies. A list of contacts is provided on [page 2-1](#).



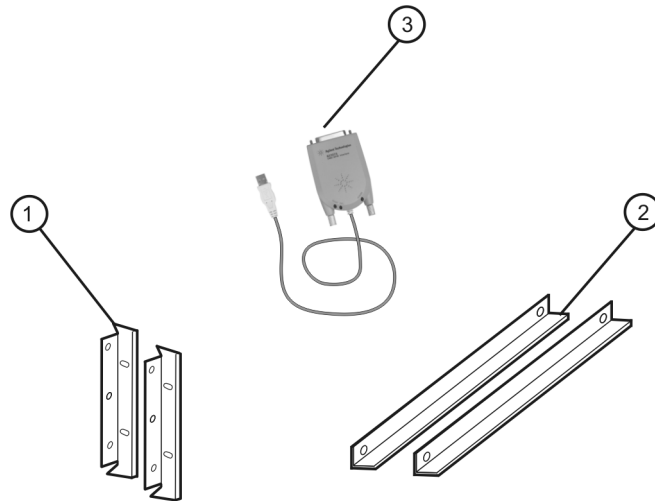
Item Number	Part Number	Part Description
1	E8356-90001 ^a	Installation and Quick Start Guide (this document)
2	E8356-10001	PNA Series Network Analyzer Documentation CD-ROM
3	Unique to country	AC Power Cord
4	not applicable ^b	USB Keyboard (English only)
5	not applicable ^b	USB Mouse
6	5063-9229	Front Handle Kit, RF-Frequency Model
	5063-9230	Front Handle Kit, Microwave-Frequency Model
7	not applicable	Ferrite cores and cable ties (refer to “STEP 5. Install Ferrite Cores” on page 1-7)

a. See [“Printing Copies of This Document”](#) on page iii.

b. See the Contents List in the shipping container for the current part number.

NOTE A parallel port adapter, part number 1253-4226, was included with early versions of the PNA. This adapter is no longer necessary.

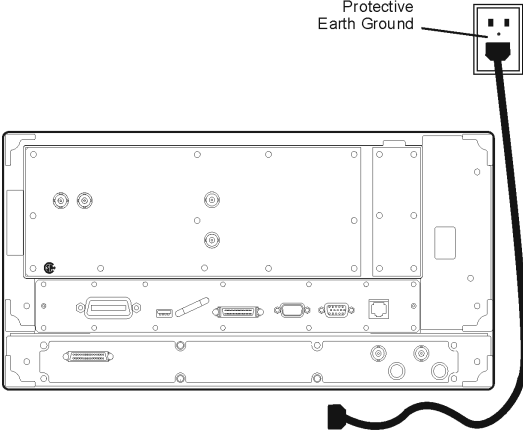
4. If you ordered any of the following options, check the parts. Option 1CM or 1CP (item numbers 1 or 2, below) are shipped in a separate container.



jc853a

Item Number	Option Number	Part Description
1	1CM	Rack Mount Flange Kit (For use without handles)
2		Rack Mount Rail Set
1	1CP	Rack Mount Flange Kit (For use with handles)
2		Rack Mount Rail Set
3	82375A	USB/GPIB Interface (included with Option 083 only)

STEP 2. Meet Electrical and Environmental Requirements

<p>1. Ensure the available AC power source meets the following requirements:</p> <hr/> <p>CAUTION This instrument has autoranging line voltage input. Be sure the supply voltage is within the specified range.</p> <hr/> <p>The specified range for the power requirements is:</p> <ul style="list-style-type: none"> • 90 – 132 V_{AC} • 48 – 66 Hz / 400 Hz (single phase) <p>- or -</p> <ul style="list-style-type: none"> • 198 – 264 V_{AC} • 48 – 66 Hz (single phase) <p>The instrument power consumption is 600 VA maximum.</p>	<p>2. Ensure the operating environment meets the following requirements:</p> <ul style="list-style-type: none"> • 0 to 40 °C • 5% to 95% relative humidity at 40 °C (non-condensing) • 0 to 4,500 meters (0 to 14,760 feet) altitude <hr/> <p>NOTE Some analyzer performance parameters are specified for 25 °C. Later, you can refer to the Help system in the analyzer for the complete specifications.</p>
<p>3. Verify that the AC power cable is not damaged, and that the power-source outlet provides a protective earth contact.</p>	
<div style="text-align: center;">  </div>	
<p>CAUTION Always use the three-prong AC power cord supplied with this product. Failure to ensure adequate earth grounding by not using this cord may cause product damage.</p>	

STEP 3. Install the Analyzer on a Bench Top or in an Equipment Rack

IMPORTANT Please review all safety information located in [Chapter 3](#), “[Safety and Regulatory Information](#)” before proceeding with installing and using the analyzer.

The analyzer can be installed on a bench top or in an equipment rack. When installing the analyzer in an equipment rack, the analyzer can be set up with handles (option 1CP) or without handles (option 1CM).

In all installations, consider the following ventilation requirements when deciding where to set up your analyzer.

CAUTION **Ventilation Requirements:** When installing the product in a cabinet, the convection into and out of the product must not be restricted. The ambient temperature (outside the cabinet) must be less than the maximum operating temperature of the instrument by 4 °C× for every 100 watts dissipated in the cabinet. If the total power dissipated in the cabinet is greater than 800 watts, then forced convection must be used.

Refer to the section, listed below, that applies to your installation.

- **For bench top installation**, continue on [page 1-5](#).
- **For equipment rack installation**, continue on [page 1-5](#).

To Install on a Bench Top

When you install the analyzer for bench top use, you may wish to attach the supplied handles to the analyzer.

If you wish to install the handles, follow the instructions provided with the handle kit.

To Install in an Equipment Rack (Option 1CP - Rack Mounting with Handles) (Option 1CM - Rack Mounting without Handles)

When you install the analyzer in an equipment rack, you must install rails in the rack to support the weight of the analyzer, attach the rack mount flanges (with or without handles) to the analyzer, and secure the analyzer to the equipment rack.

For installation, follow the instructions provided with the rack mount kit and the rail kit.

STEP 4. Connect the Accessories

You can connect several USB accessories to the PNA. Some PNA models have a four-port USB hub mounted internally and accessible through the rear panel. Other PNA models have two USB ports: one on the front panel and one on the rear panel. You can also use an optional USB Hub (model N4689) to increase the available USB ports on the PNA.

USB devices, including the optional hub, can be connected to any available USB port. The PNA will recognize the USB device when it is connected, and run the appropriate software driver to make the device operate correctly.

The following is a list of USB devices commonly used with the PNA. Some of these devices may require additional installation. Refer to the Help that is embedded in the PNA for more information.

- Mouse — standard
- Keyboard — standard
- Read/Write CD-ROM drive (separate product)
- USB Hub (separate product)
- Electronic Calibration (ECal) Modules (separate product)
- Printer (separate product)
- 82357A USB/GPIB Interface — supplied with Option 083

STEP 5. Install Ferrite Cores

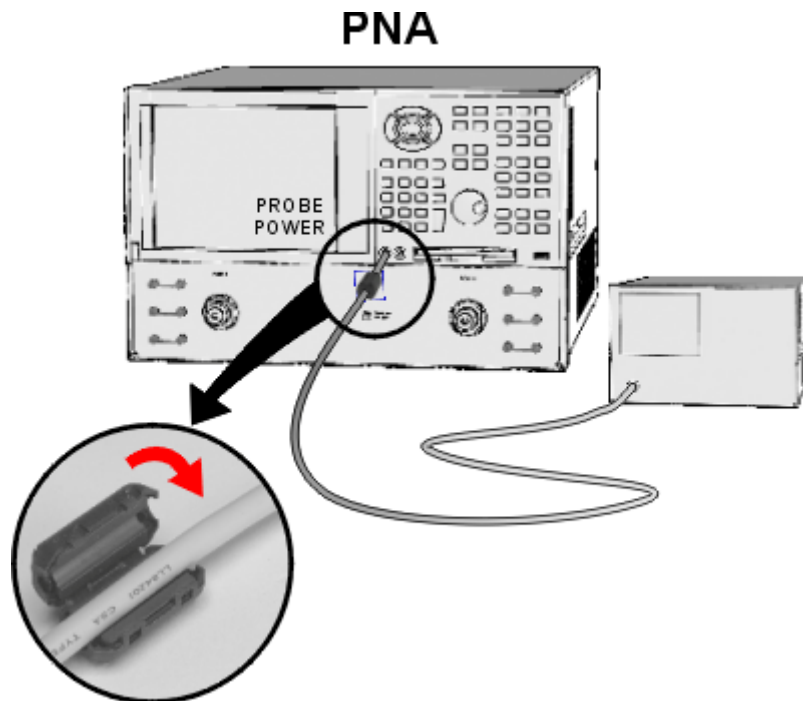
CISPR 11 is an international regulation that specifies the maximum level of frequency emissions that can originate from an electronic device. The regulation is designed to minimize the interference that one electronic device may have with another.

Frequency emissions can occur when cables are connected to an electronic device. To minimize this, try to use high-quality cables with built-in molded ferrite cores, with the core closest to the PNA. If cables with built-in cores cannot be found, use one of the clamp-on ferrite cores that are included with the PNA.

It is especially important to use these cores on cables that are connected to the following PNA connectors:

- Parallel Port (rear panel)
- Serial Port (rear panel)
- VGA (rear panel)
- Probe power (front panel)

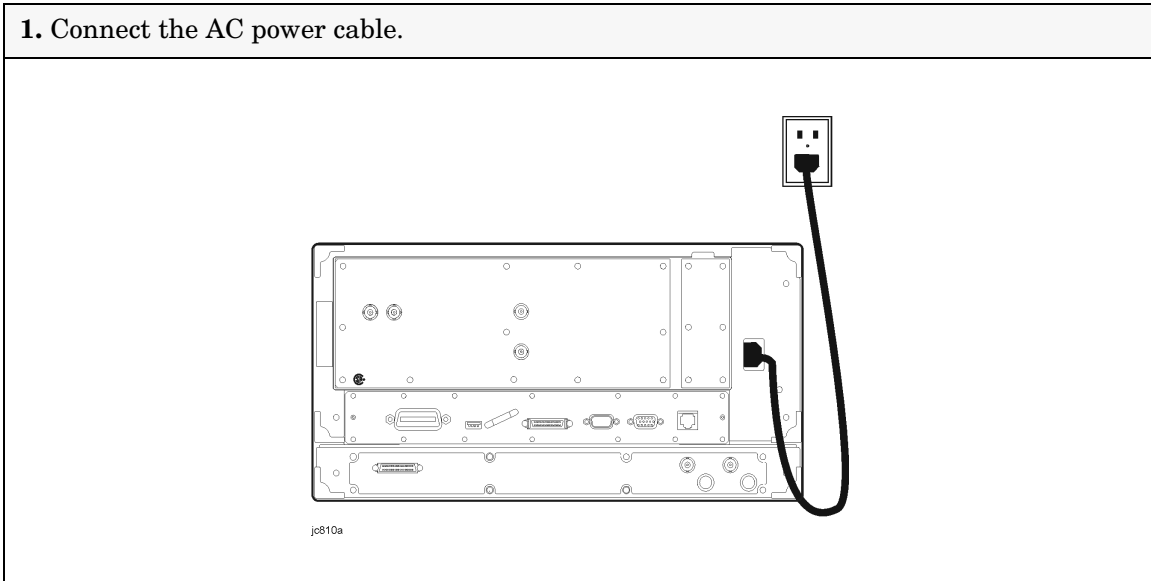
The core should snap closed to grip the cable firmly, but without damaging the cable. Attach the core to the cable as close as possible to the PNA connector end. Cable ties are included to help ensure that the ferrite cores remain in place.



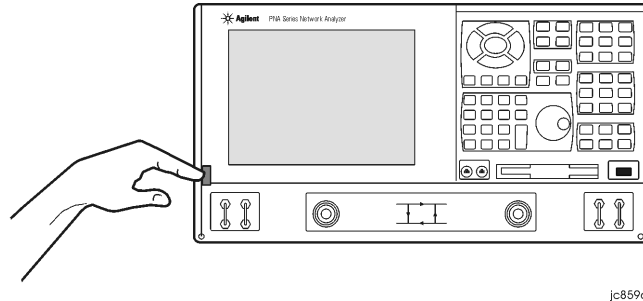
STEP 6. Start Up the Analyzer

CAUTION Install the instrument so that the detachable power cord is readily identifiable and is easily reached by the operator. The detachable power cord is the instrument disconnecting device. It disconnects the mains circuits from the mains supply before other parts of the instrument. The front panel switch is only a standby switch and is not a **LINE** switch. Alternatively, an externally installed switch or circuit breaker (which is readily identifiable and is easily reached by the operator) may be used as a disconnecting device.

1. Connect the AC power cable.



2. Turn the analyzer on by pressing the front panel On/Off switch. When the analyzer is turned on, the On/Off switch changes color from yellow to green.



NOTE The Agilent PNA Series Network Analyzer is a network analyzer that operates on a personal computer (PC) platform with Microsoft® Windows® as the operating system.

STEP 7. Perform Administrative Tasks

IMPORTANT The basic Windows configuration and software shipped with the PNA should *not* be modified. This includes the addition or deletion of any hard-disk drive partitions, the deletion of the “Agilent” user profile, or the modification of any of the Agilent registry entries. Problems that result from modifications will *not* be covered under warranty. For more information, type the keywords **Windows 2000** in the index of the Help system in the analyzer.

We recommend that you consider performing the following administrative tasks shortly after powering up the analyzer for the first time.

- Set up analyzer users
- Set up the administrator password
- Enter the computer name
- Set the time and date
- Select a local language for the help system (default is English)

Procedures for the above tasks are in the Help system in the analyzer. To view these procedures:

- On the analyzer’s front panel, press the **Help** button. Or, on the PNA display, click **Help, Network Analyzer Help**.

- Click **Quick Start** in PNA Help.
- Click **Perform Administrative Tasks**.
- Click the task you wish to perform.



STEP 8. Run the Operator's Check

The operator's check should be performed when you first receive your analyzer, and any time you wish to have confidence that the analyzer is working properly. The operator's check does not verify performance to specifications, but should give you a high degree of confidence that the instrument is performing properly.

On the **System** menu, point to **Service**, and then click **Operator's Check**. Follow the prompts.

For assistance, use the **Help** button displayed on the screen of the Operator's Check.

STEP 9. Turn Off the Analyzer

The following two modes are used to turn off the analyzer:

- hibernate
- shut down

To Hibernate the Analyzer

There are two methods to hibernate the analyzer:

- Method 1: Press the front panel On/Off switch momentarily.
 - Do not hold down the switch.
 - Do not repeatedly press the switch.
- Method 2: Click **Start, Shutdown**. In the dialog box, select **Hibernate**.

Within a few seconds, two banners are displayed momentarily. (The first banner states "Preparing to Hibernate". The second banner states "Hibernating".) The current analyzer state is saved to the analyzer's hard disk.

The On/Off switch color changes from green to yellow when the analyzer has finished switching to hibernation state.

When the analyzer is in the hibernation state, pressing the On/Off switch wakes up the analyzer. The analyzer application reads the hard disk to load the exact state that the analyzer was in before it was hibernated. This saves time by avoiding a full system boot up.

Powering-up the analyzer after Hibernation mode does not require a password. If security is an important issue and you need password protection, choose the shut down mode to turn off the analyzer.

For more hibernate information, type **hibernate** in the index of the Help system in the analyzer.

To Shut Down the Analyzer

IMPORTANT Only shut down the analyzer when preparing to service it, or provide security via password protection.

To shut down the analyzer, click **Start, Shutdown**. In the dialog box, select **Shut Down**.

The On/Off switch color changes from green to yellow when the analyzer has finished switching to shut down mode.

When turned on, the analyzer application powers-up in the preset settings after performing a full system boot-up and requesting a password.

CAUTION ***Only in an emergency***, should the power cord be removed from the analyzer without first turning off the analyzer. Removing the power cord without the analyzer in hibernation or shut down mode ***is likely*** to damage the analyzer's hard drive.

Installing Your Analyzer
STEP 9. Turn Off the Analyzer

2 Getting Help with Your Analyzer

Contacting Agilent Technologies

Online assistance: www.agilent.com/find/assist

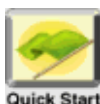
United States <i>(tel)</i> 1 800 452 4844	Latin America <i>(tel)</i> (305) 269 7500 <i>(fax)</i> (305) 269 7599	Canada <i>(tel)</i> 1 877 894 4414 <i>(fax)</i> (905) 282-6495	Europe <i>(tel)</i> (+31) 20 547 2323 <i>(fax)</i> (+31) 20 547 2390
New Zealand <i>(tel)</i> 0 800 738 378 <i>(fax)</i> (+64) 4 495 8950	Japan <i>(tel)</i> (+81) 426 56 7832 <i>(fax)</i> (+81) 426 56 7840	Australia <i>(tel)</i> 1 800 629 485 <i>(fax)</i> (+61) 3 9210 5947	Singapore <i>(tel)</i> 1 800 375 8100 <i>(fax)</i> (65) 836 0252
Malaysia <i>(tel)</i> 1 800 828 848 <i>(fax)</i> 1 800 801 664	Philippines <i>(tel)</i> (632) 8426802 <i>(tel)</i> (PLDT subscriber only): 1 800 16510170 <i>(fax)</i> (632) 8426809 <i>(fax)</i> (PLDT subscriber only): 1 800 16510288	Thailand <i>(tel)</i> outside Bangkok: (088) 226 008 <i>(tel)</i> within Bangkok: (662) 661 3999 <i>(fax)</i> (66) 1 661 3714	Hong Kong <i>(tel)</i> 800 930 871 <i>(fax)</i> (852) 2506 9233
Taiwan <i>(tel)</i> 0800-047-866 <i>(fax)</i> (886) 2 25456723	People's Republic of China <i>(tel)</i> (preferred): 800-810-0189 <i>(tel)</i> (alternate): 10800-650-0021 <i>(fax)</i> 10800-650-0121	India <i>(tel)</i> 1-600-11-2929 <i>(fax)</i> 000-800-650-1101	

Help System

Use on-line Help to quickly reference programming and user documentation. English, French, German, Japanese, and Spanish language versions are available through the Help menu. (Programming information is only available in English.)

We recommend that you begin by accessing Help and reading the topics in the Quick Start section. To access this information:

- On the analyzer's front panel, press the **Help** button. Or, on the PNA display, click **Help, Network Analyzer Help**.
- Click **Quick Start** in PNA Help.



PNA on the Internet

The PNA Series Network Analyzer System Web page is another resource for help with the analyzer. This Web page has links to information about equipment and literature related to PNA series network analyzers. You can visit the Agilent Technologies web site where you can find product information, service notes, training information, application notes, online manuals, and other information. To access the PNA Series Network Analyzer System Web page:

- Click **Help**.
 - Or, on the analyzer's front panel, press **Menu/Dialog**. Next, in the **NAVIGATION BLOCK**, press the Left Tab several times to move to **Help**.
- Click **Network Analyzer on the Web**.

Product Overview

The PNA Series Network Analyzers Product Overview is a multimedia presentation that will show you the analyzer's features and operating principles. To view this presentation:

- Click **Help**.
 - Or, on the analyzer's front panel, press **Menu/Dialog**. Next, in the **NAVIGATION BLOCK**, press the Left Tab several times to move to **Help**.
- Click **Network Analyzer Product Overview**.

3 Safety and Regulatory Information

Maintenance

To remove dirt or dust from the external case of the network analyzer, clean the case using a dry or slightly-dampened cloth only.

WARNING **To prevent electrical shock, disconnect analyzer from mains before cleaning. Use a dry cloth or one slightly dampened with water to clean the external case parts. Do not attempt to clean internally.**

Shipment for Service

Contact Agilent Technologies for instructions on where to ship the analyzer for service. Refer to [page 2-1](#) for a list of Agilent Technologies contacts.

Ship the analyzer using the original packaging materials. Shipping the analyzer in anything other than the original packaging may result in non-warranted damage.

Safety Symbols

The following safety symbols are used throughout this manual. Familiarize yourself with each of the symbols and its meaning before operating this instrument.

CAUTION Caution denotes a hazard. It calls attention to a procedure that, if not correctly performed or adhered to, would result in damage to or destruction of the product. Do not proceed beyond a caution note until the indicated conditions are fully understood and met.

WARNING **Warning denotes a hazard. It calls attention to a procedure which, if not correctly performed or adhered to, could result in injury or loss of life. Do not proceed beyond a warning note until the indicated conditions are fully understood and met.**

General Safety Considerations

Safety Earth Ground

WARNING This is a Safety Class I Product (provided with a protective earthing ground incorporated in the power cord). The mains plug shall only be inserted in a socket outlet provided with a protective earth contact. Any interruption of the protective conductor, inside or outside the product, is likely to make the product dangerous. Intentional interruption is prohibited.

CAUTION Always use the three-prong AC power cord supplied with this product. Failure to ensure adequate earth grounding by not using this cord may cause product damage.

Before Applying Power

WARNING If this product is not used as specified, the protection provided by the equipment could be impaired. This product must be used in a normal condition (in which all means for protection are intact) only.

WARNING If an instrument handle is damaged, you should replace it immediately. Damaged handles can break while you are moving or lifting the instrument and cause personal injury or damage to the instrument.

CAUTION This instrument has autoranging line voltage input. Be sure the supply voltage is within the specified range.

CAUTION This product is designed for use in Installation Category II and Pollution Degree 2 per IEC 61010 and 664 respectively.

CAUTION **Ventilation Requirements:** When installing the product in a cabinet, the convection into and out of the product must not be restricted. The ambient temperature (outside the cabinet) must be less than the maximum operating temperature of the instrument by 4 °C× for every 100 watts dissipated in the cabinet. If the total power dissipated in the cabinet is greater than 800 watts, then forced convection must be used.

CAUTION The measuring terminals on this instrument are designed to be used with external signals described in Measurement Category I, but NOT with external signals described in Categories II, III, and IV. The input of this instrument cannot be connected to the mains.

Servicing

WARNING **These servicing instructions are for use by qualified personnel only. To avoid electrical shock, do not perform any servicing unless you are qualified to do so.**

WARNING **No operator serviceable parts inside. Refer servicing to qualified personnel. To prevent electrical shock, do not remove covers.**

WARNING **The opening of covers or removal of parts is likely to expose dangerous voltages. Disconnect the product from all voltage sources while it is being opened.**

WARNING **The power cord is connected to internal capacitors that may remain live for 5 seconds after disconnecting the plug from its power supply.**

Regulatory Information

This section contains information that is required by various government regulatory agencies.

Instructions for Use

This product has been designed and tested in accordance with the standards listed on the Manufacturer's Declaration of Conformity, and has been supplied in a safe condition. The documentation contains information and warnings that must be followed by the user to ensure safe operation and to maintain the product in a safe condition.

Install the instrument so that the detachable power cord is readily identifiable and is easily reached by the operator.

The detachable power cord is the instrument disconnecting device. It disconnects the mains circuits from the mains supply before other parts of the instrument. **The front panel switch is only a standby switch and is not a LINE switch (disconnecting**

device).

Alternatively, an externally installed switch or circuit breaker (which is readily identifiable and is easily reached by the operator) may be used as a disconnecting device.

Instrument Markings



The instruction documentation symbol. The product is marked with this symbol when it is necessary for the user to refer to the instructions in the documentation.



The CE mark is a registered trademark of the European Community. (If accompanied by a year, it is when the design was proven.)



The CSA mark is a registered trademark of the Canadian Standards Association.

ICES/NMB-001

This ISM device complies with Canadian ICES-001.
Cet appareil ISM est conforme a la norme NMB-001 du Canada.

ISM1-A

This is a symbol of an Industrial Scientific and Medical Group 1 Class A product.



This is a required mark signifying compliance with an EMC requirement. The C-Tick mark is a registered trademark of the Australian Spectrum Management Agency.

The ON, OFF, and STANDBY symbols are used to mark the positions of the instrument power line switch. The AC symbol is used to indicate the required nature of the line module input power.



ON symbol



ON symbol



STANDBY symbol



OFF symbol



OFF symbol



AC (alternating current) symbol

Declaration of Conformity

A declaration of conformity is on file for the PNA models, and a copy is available upon request.

Compliance with German Noise Requirements

This is to declare that this instrument is in conformance with the German Regulation on Noise Declaration for Machines (Laermangabe nach der Maschinenlaermrrerordnung –3.GSGV Deutschland).

Acoustic Noise Emission/Geraeuschemission	
LpA<70 dB	Lpa<70 dB
Operator Position	am Arbeitsplatz
Normal Operation	normaler Betrieb
per ISO 7779	nach DIN 45635 t. 19

Warranty

The actual warranty on your instrument depends on the date it was ordered as well as whether or not any warranty options were purchased at that time. To determine the exact warranty on your instrument, contact Agilent Technologies with the model and serial number of your instrument. See [page 2-1](#) for contact information.